

# STARLINK

---

STANDARD ACCESSORIES

Available to purchase after receiving your order confirmation email.

# PIPE ADAPTER MOUNT

---

Designed to attach to any pole with a max diameter of 2.5" (64 mm). Slide adapter over the top of the existing pole, fasten provided screws, and drop Starlink in.

**Tools Needed:**

None

**Package Dimensions:**

21 x 14 x 8.7 cm / 8.3" x 5.5" x 3.4"

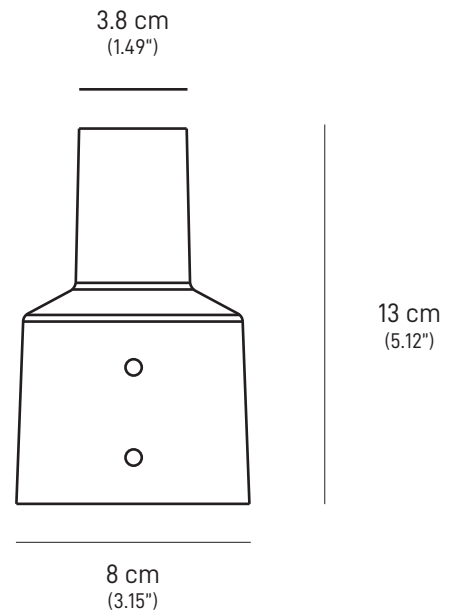
**Package Weight:**

0.6 kg / 1.35 lbs

**Compatibility:**

Standard Starlink

High Performance Starlink



# SHORT WALL MOUNT

---

Designed for installation on an exterior wall, near the top of the gable. Drilling required.

**Tools Needed:**

Drill, Stud / Electrical Finder, Socket Wrench, Level, 5/32" (4 mm) Drill Bit, 0.5" x 2.5" (12.5 mm x 63.5 mm) Socket, Pencil

**Package Dimensions:**

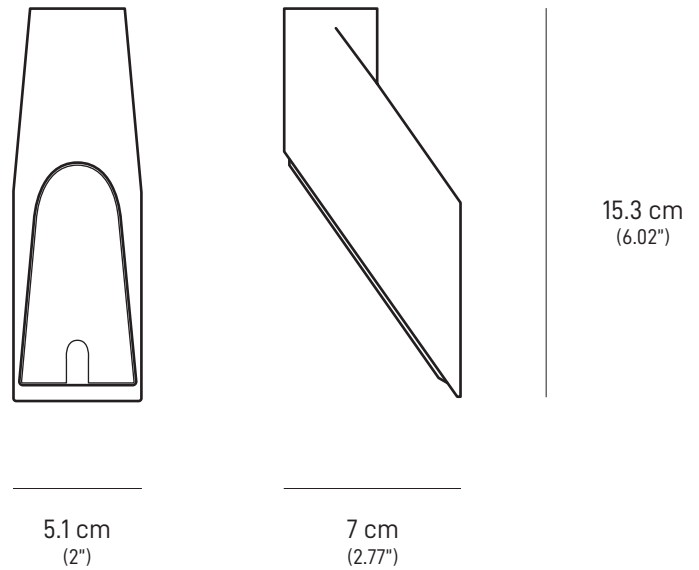
21 x 14 x 8.7 cm / 8.3" x 5.5" x 3.4"

**Package Weight:**

0.6 kg / 1.4 lbs

**Compatibility:**

Standard Starlink  
High Performance Starlink



# LONG WALL MOUNT

---

Designed for installation on an exterior wall near the top of the gable; extra length provides clearance of overhang when needed. Drilling required.

**Tools Needed:**

Drill, Stud / Electrical Finder, Socket Wrench, Level, 5/32" (4 mm) Drill Bit, 0.5" x 2.5" (12.5 mm x 63.5 mm) Socket, Pencil

**Package Dimensions:**

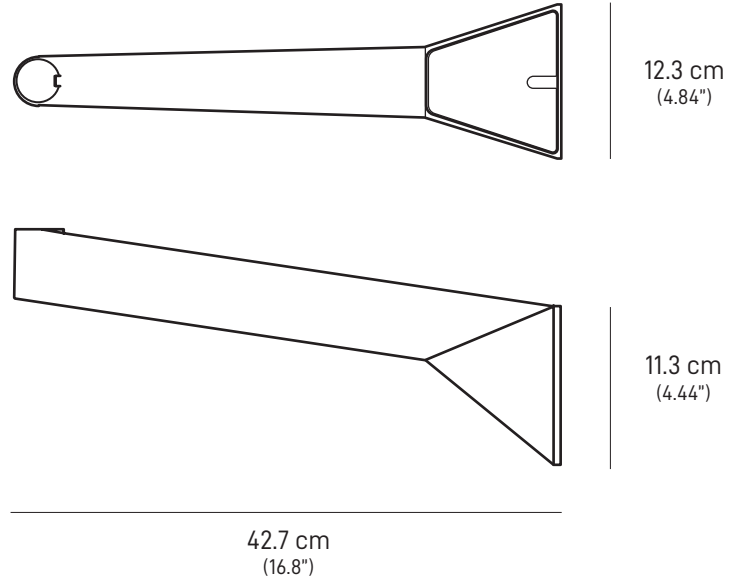
48.5 x 14 x 11.9 cm / 19.1" x 5.5" x 4.7"

**Package Weight:**

0.6 kg / 1.4 lbs

**Compatibility:**

Standard Starlink  
High Performance Starlink



# GROUND POLE MOUNT

---

Designed for in-ground installation when roof or wall mounting is not possible; requires digging.

**Tools Needed:**

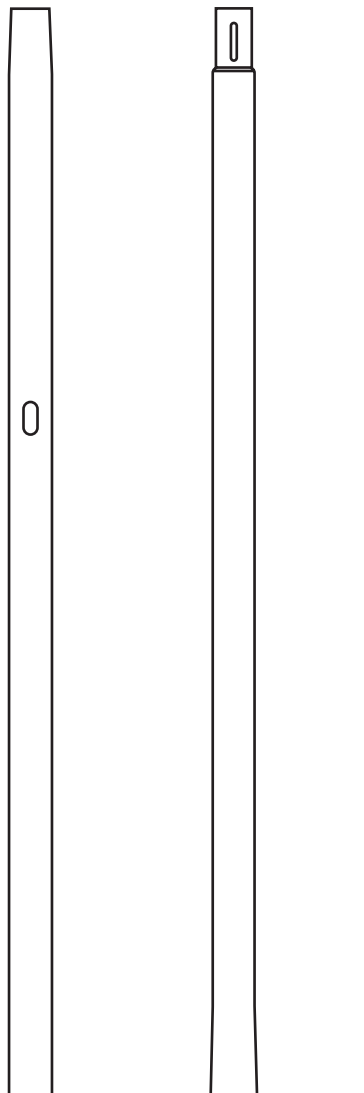
Shovel, Mortar Hoe, Mixing Trough / Bucket, Gloves, Concrete Mix, and Water

**Package Dimensions:**

45.7" x 4.5" x 2.4" / 116 x 11.5 x 6.1 cm

**Package Weight:** 9.43 lbs / 4.27 kg

**Compatibility:** Rectangular Starlink



112.9 cm  
(44.45 in)



# PIVOT MOUNT

---

Designed for installation on shingled roofs, recommend installing closer to edge for cable routing. Not recommended for tile, slate, and clay roofing.

For best results, Starlink should be installed as close to vertical as possible.

**Tools Needed:**

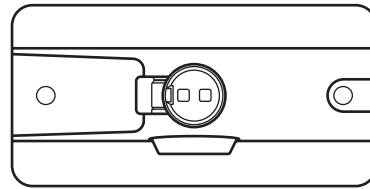
Drill, 5/32" (4 mm) Drill Bit, 1/2" (12.7 mm) Socket Wrench

**Package Dimensions:**

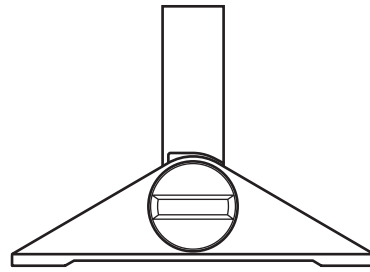
9.7" x 5.5" x 3.1" / 24.7 x 14 x 7.9 cm

**Package Weight:** 2.21 lbs / 1.0 kg

**Compatibility:** Rectangular Starlink



110mm  
(4.3 in)



156mm  
(6.14 in)

220mm  
(8.66 in)



# FLASHING MOUNT

---

Designed for installation on shingled roofs, recommend installing closer to edge for cable routing. Not recommended for tile, slate, and clay roofing.

For best results, Starlink should be installed as close to vertical as possible.

**Tools Needed:**

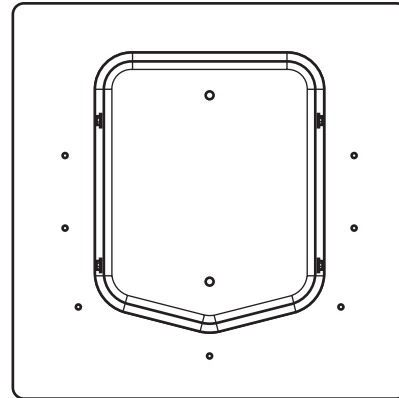
Drill, 5/32" (4 mm) Drill Bit, 1/2" (12.7 mm) Socket Wrench

**Package Dimensions:**

9.7" x 5.5" x 3.1" / 24.7 x 14 x 7.9 cm

**Package Weight:** 2.21 lbs / 1.0 kg

**Compatibility:** Rectangular Starlink



381mm  
(15 in)



66.3mm  
(2.61 in)

381 mm  
(15 in)



# RIDGELINE MOUNT

Designed for most rooftops (roof ridgelines) and any flat surface, no drilling required.

Ballast weight included with order and shipped separately.

**Tools Needed:**

None

**Package Dimensions:**

Mount Box: 74 x 61.4 x 9.5 cm / 29" x 24" x 3.7"

Ballast Box: 42.4 x 12.4 x 18.9 cm / 16.7" x 4.9" x 7.4"

**Package Weight:**

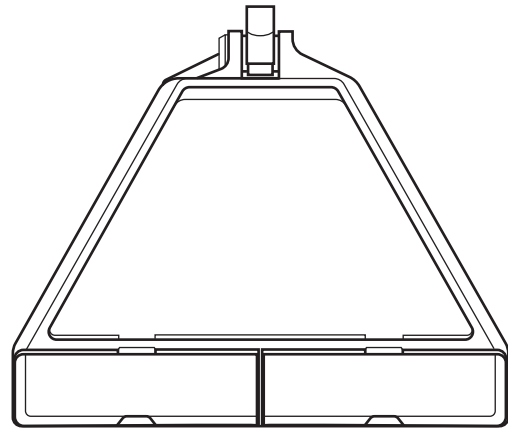
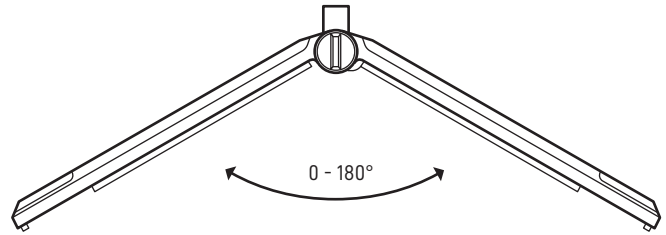
Mount Box: 5.3 kg / 11.7 lbs.

Ballast Box: 25.3 kg / 55.8 lbs.

**Compatibility:**

Standard Starlink

High Performance Starlink



676 mm  
(26.6in)





# STANDARD STARLINK CABLES

---

22.9 m (75 ft) Starlink Cable is designed to replace the standard cable from the Starlink Kit between your install location and the router.

**Package Dimensions:**

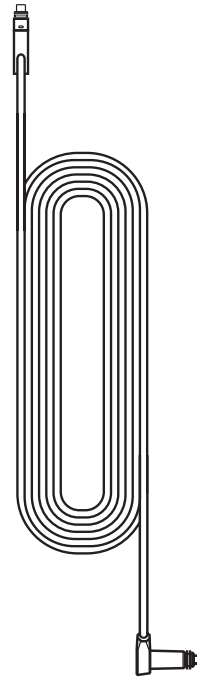
14.9 x 5.1 x 43.6 cm / 5.87" x 2.0" x 17.17"

**Package Weight:**

1.4 kg / 3.09 lbs

**Compatibility:**

Standard Starlink



22.9 m  
(75 ft)

45.7 m (150 ft) Starlink Cable is designed to replace the standard cable from the Starlink Kit when additional length is needed between your install location and the router.

**Package Dimensions:**

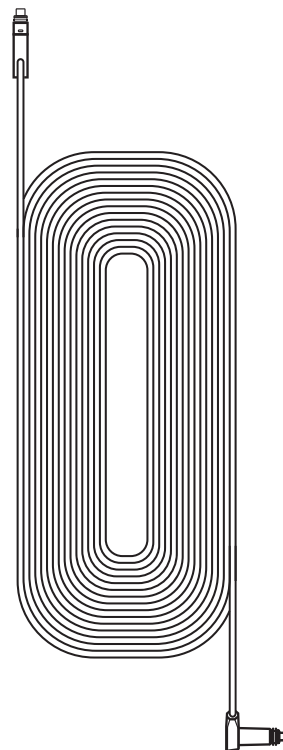
31.1 x 8.9 x 32.4 cm / 12.25" x 3.5" x 12.75"

**Package Weight:**

2.75 kg / 6.06 lbs

**Compatibility:**

Standard Starlink



45.7 m  
(150 ft)

# MESH WIFI ROUTER

---

Starlink Mesh WiFi Routers wirelessly extend your WiFi network throughout your home to provide a more reliable connection and faster speeds to areas where extra coverage may be needed.

\*Requires Starlink App

**Package Dimensions:**

22.4 x 28.6 x 10 cm / 8.8" x 11.3" x 4"

**Package Weight:**

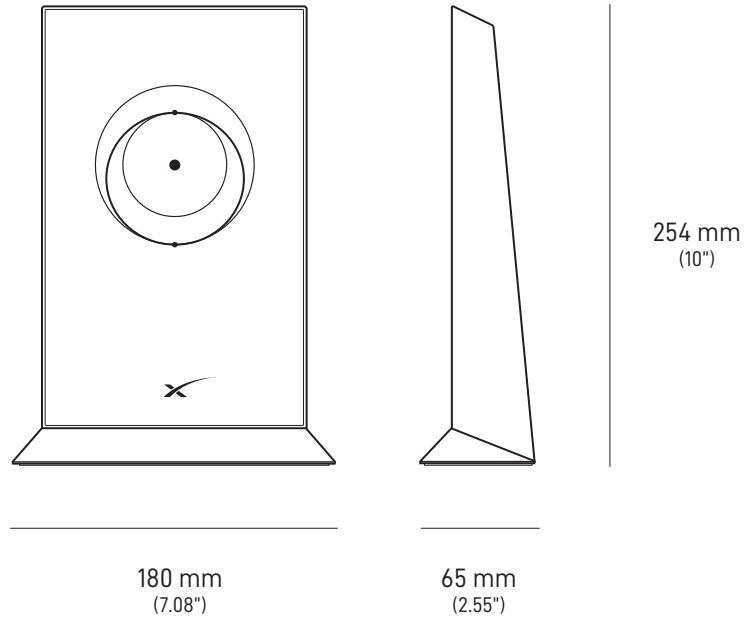
1.72 kg / 3.75 lbs

**Compatibility:**

Standard Starlink

High Performance Starlink

Flat High Performance Starlink



# ETHERNET ADAPTER

---

Designed to connect a device directly to the Starlink Router for a wired connection. Supports up to 1 Gbps speeds.

**Package Dimensions:**

16.5 x 11.4 x 3.6 cm / 6.5" x 4.5" x 1.5"

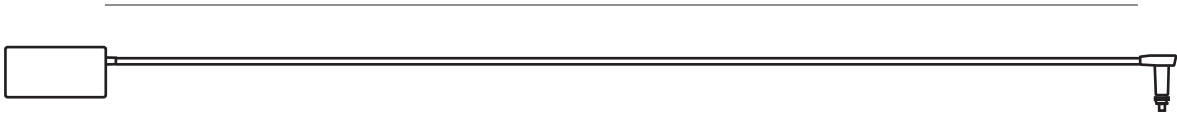
**Package Weight:**

0.15 kg / 0.33 lbs

**Compatibility:**

Standard Starlink

0.92m  
(3 ft)



# CABLE ROUTING KIT

---

Designed for drilling through most walls.

Not recommended for masonry, concrete, or hard coat stucco. Best for customers with prior internet cable routing experience and installation; must be comfortable drilling through walls. Kit includes a spade bit, drill bit, cable routing tool, silicone sealant, grommets, and wall clips.

**Tools Needed:**

Drill, Stud / Electrical Finder

**Package Dimensions:**

34.9 x 13.3 x 4.4 cm / 3.75" x 5.25" x 1.75"

**Package Weight:**

0.38 kg / 0.83 lbs

**Compatibility:**

Standard Starlink

High Performance Starlink

Flat High Performance Starlink



# MASONRY ROUTING KIT

---

Designed for drilling through masonry, concrete or hard coat stucco (excluding EIFS) walls. Best for customers with prior internet cable routing experience and installation; must be comfortable drilling through walls. Kit includes a spade bit, drill bit, cable routing tool, silicone sealant, grommets, and wall clips.

**Tools Needed:**

Hammer, Hammer Drill, Phillips Head Drill Bit, Stud / Electrical Finder, Goggles, Gloves, and Mask

**Package Dimensions:**

35.2 x 16.5 x 4.4 cm / 13.875" x 6.5" x 1.75"

**Package Weight:**

1.0 kg / 2.1 lbs

**Compatibility:**

Standard Starlink  
High Performance Starlink  
Flat High Performance Starlink



THANK YOU